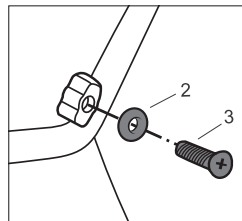
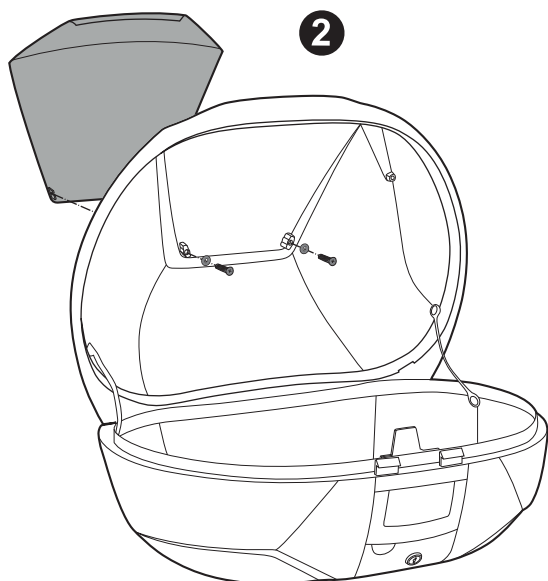
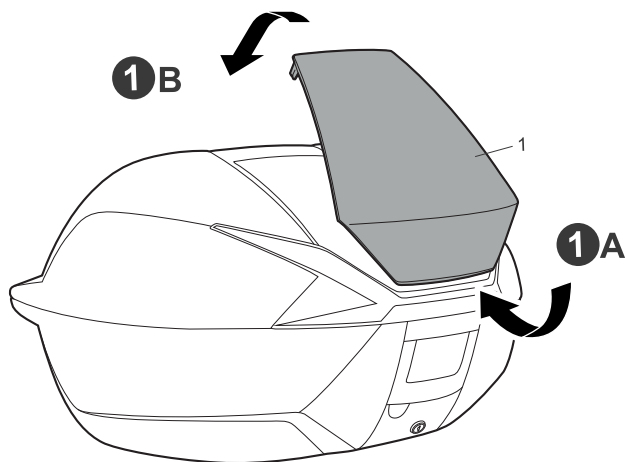


# SHAD

# SH47

COLOR LID



#	Piece	Quantity
1	Color Lid	1
2	Toric Joint	2
3	Screw 3'5x10 mm	2



PHILLIPS PH3

# SHAD

WWW.SHAD.ES

Octave Lecante, 2-6  
Pol. Ind. Can Magarola  
08100 MOLLET DEL VALLÈS  
BARCELONA (SPAIN)

Phone: 0034 935 795 860  
Fax: 0034 935 796 945  
info@shad.es

Code: 502039 - ED01